

tapo

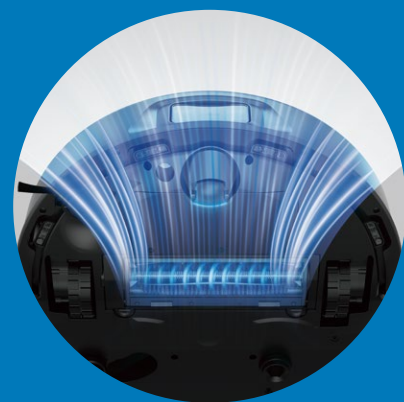
works with alexa

works with Google Home

works with matter

Robot Vacuum & Mop + All-in-One Dock

Tapo RV50 Omni



12000Pa
Superb Suction



Tangle-Free
Cutting Brush



Mop Removal
for Carpets

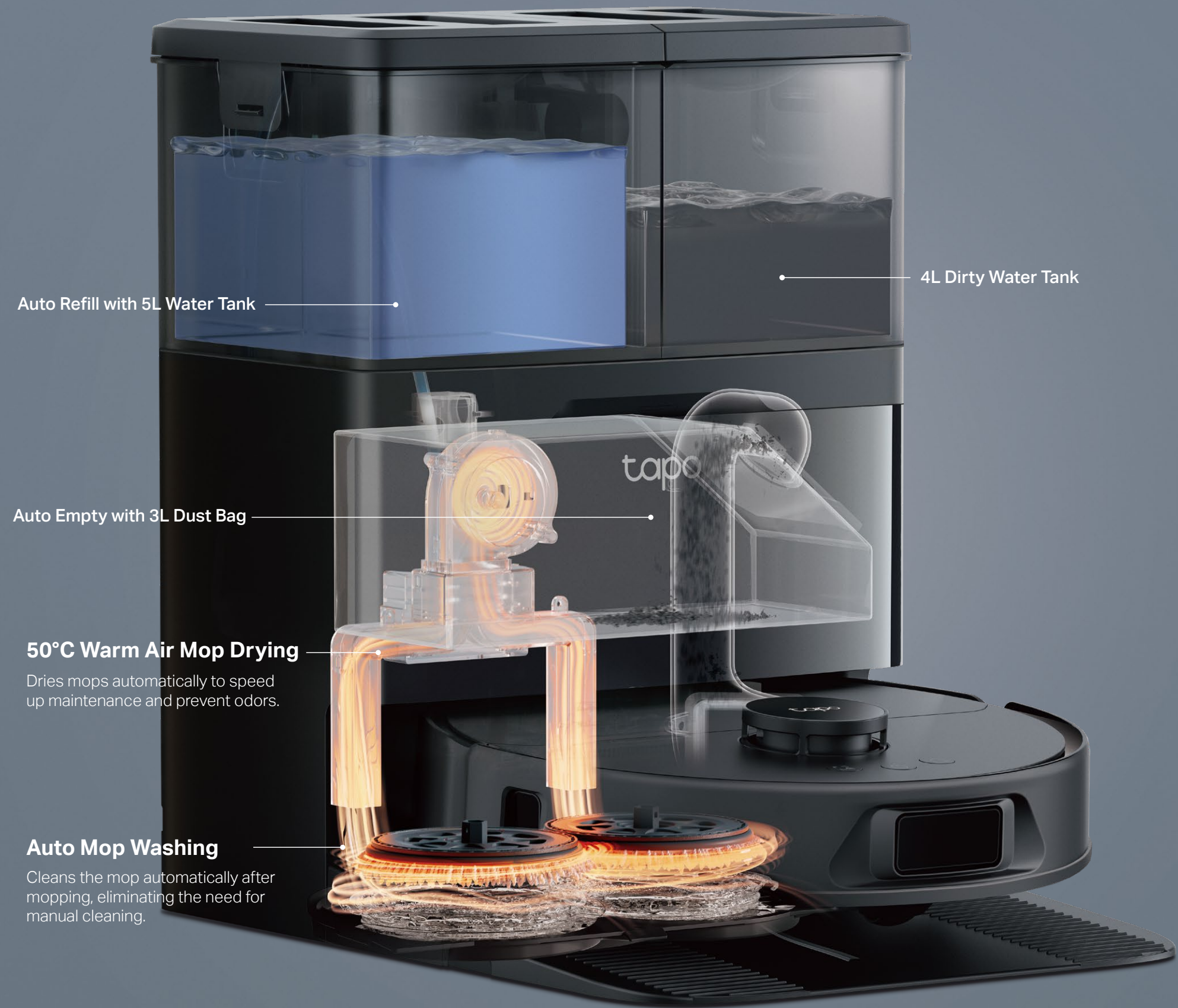


// Highlights

Effortless, Hands-Free Cleaning—Every Time

No need to touch dirty water or messy mops. The station handles mop washing, drying, and dust disposal for you.

Maintenance-Free Omni Station



// Highlights

Tangle-Free Cutting Brush

Cuts away wrapped hair only when at the base station – protecting carpets and pets while vacuuming.

Anti-Tangle Side Brush

Unique spin pattern sheds hair before it tangles.

Anti-Tangle Caster

Built to keep rolling—resists hair buildup and keeps performance consistent.



// Highlights



Auto-Mop Lifting

Lifts mop when moving over short pile carpets to prevent wet mops touching the surface.

Auto-Mop Removal

Completely removes mops when cleaning high pile carpets.

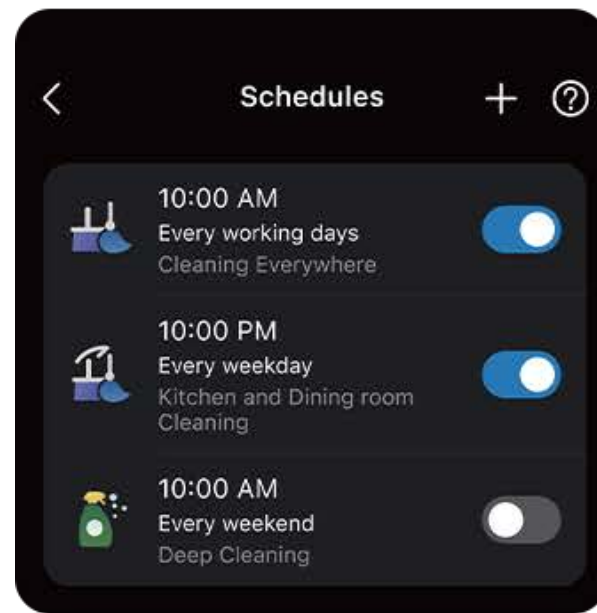


Shiny Floors Without the Elbow Grease

Dual spinning mops apply high-speed pressure to scrub away stains and leave your floors polished.

// Highlights

Tap, Set, and Let Tapo Handle the Rest



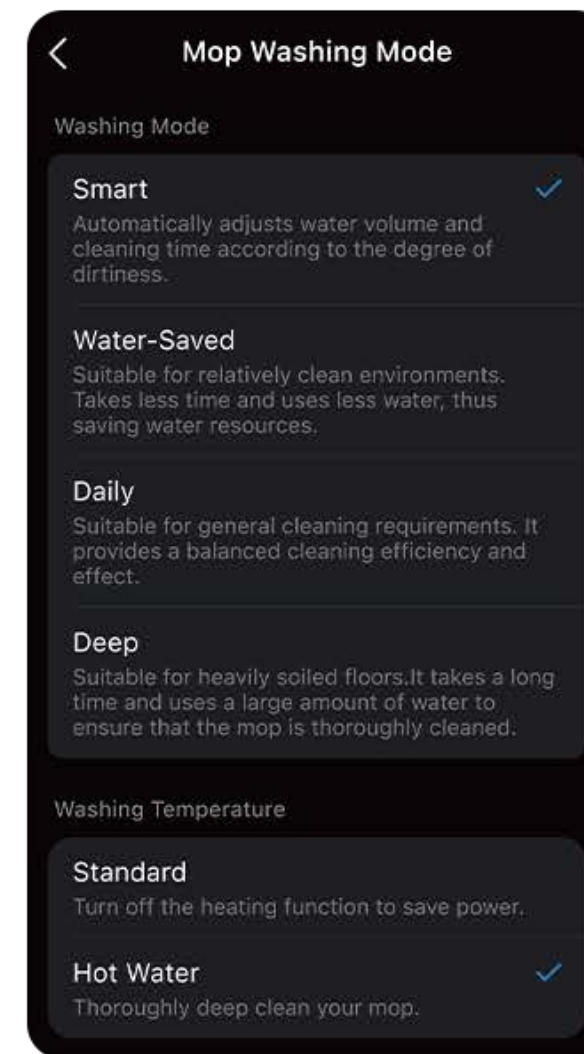
Child/Pet Lock



Post-Meal Cleaning



Selected Room Cleaning



Multiple Mopping Preferences



Custom No-Go Zones

// Specifications

Care and Maintenance

To maintain optimal performance, maintain the robot vacuum according to the following guidelines.

Part	Maintenance Frequency	Replacement Frequency*
Dustbin	Clean/wash as needed	/
Filter	Once a week	2-4 months
Sponge Filter	/	2-3 months
Main Brush	Every 2 weeks	6-12 months
Main Brush Cover	Every 2 weeks	6-12 months
Side Brush	Once a month	3-6 months
Dust Bag	/	Replace when full
Mop Cloth	Auto-wash & dry	2-3 months
Caster Wheel	Clean as needed	/
Main Wheels	Once a month	/
Sensors	Once a month	/
Charging Contacts	Once a month	/

*Replacement frequency may vary depending on the actual situation. Parts should be replaced if visible wear appears.

// Specifications

Navigation & Obstacle Avoidance

- Navigation: dToF
- Obstacle Avoidance: LiDAR
- High-Precision Map: Yes
- Carpet Detection: Yes
- Barrier-Cross Height: 20 mm/0.79 in
- Anti-Drop Protection : Yes (4 sensors)

Dock Features

- Auto Dust Collection: Yes
- Suction Power of Auto-Empty Dock: 17000 Pa
- Dust Bag Capacity: 3 L
- Clean Water Tank Capacity: 5 L
- Dirty Water Tank Capacity: 4 L
- Auto Mop Washing: Yes
- Warm Air Drying: Yes (50°/122°F)
- Mop Auto-Removal: Yes

Vacuuming Features

- Max Suction Power: 12000 Pa
- Suction Level: 5 levels
- Dustbin Capacity: 280 ml
- HEPA Filter: H11
- Main Brush: Tangle-free hair-cutting brush
- Anti-Tangle Caster: Yes
- Anti-Tangle Side Brush: Yes
- Carpet Boost: Yes
- Cleaning Routes: 3 levels

Mopping Features

- Wet Mopping : Yes
- DeepEdge Adaptive Mopping: Yes
- Mop Lifting: 12 mm/0.47 in
- Water Level Adjustment: 3 levels
- Carpet Avoidance: Yes

Battery

- Battery Capacity : 5200 mAh
- Recharge & Resume: Yes

// Specifications

App Features

- Real-Time Tracking: Yes
- Multi-Floor Mapping: Yes
- Scheduled Cleaning: Yes
- Selected Room Cleaning: Yes
- Virtual Walls: Yes
- No-Go Zones: Yes
- Zone Cleaning: Yes

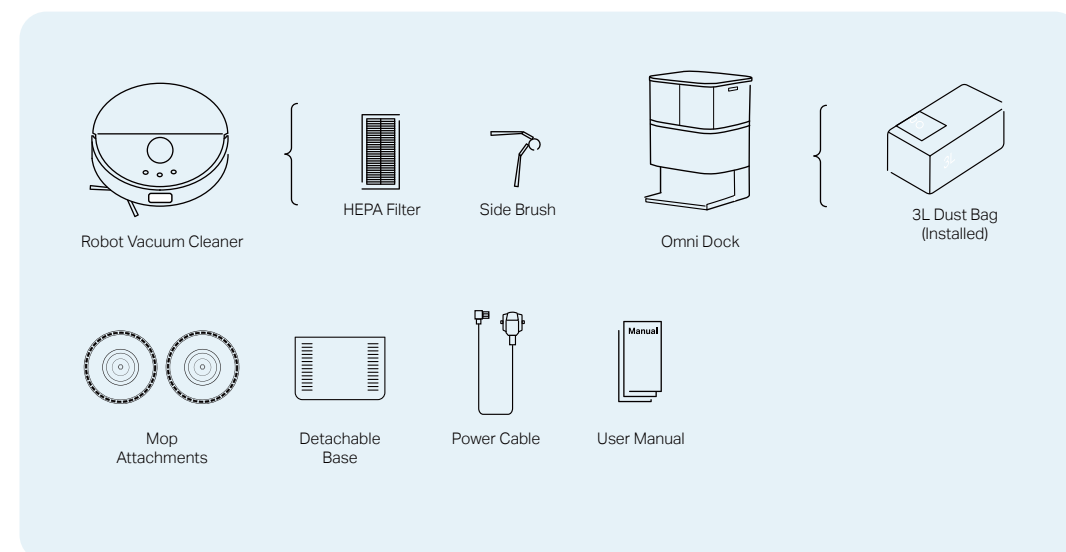
Physical

- Product Dimensions:

Robot Vacuum: $\Phi 350 \times 100.3$ mm ($\Phi 13.8 \times 3.95$ in)

All-in-One Dock: $480 \times 350 \times 475$ mm ($18.9 \times 13.8 \times 18.7$ in)

- Package Contents:

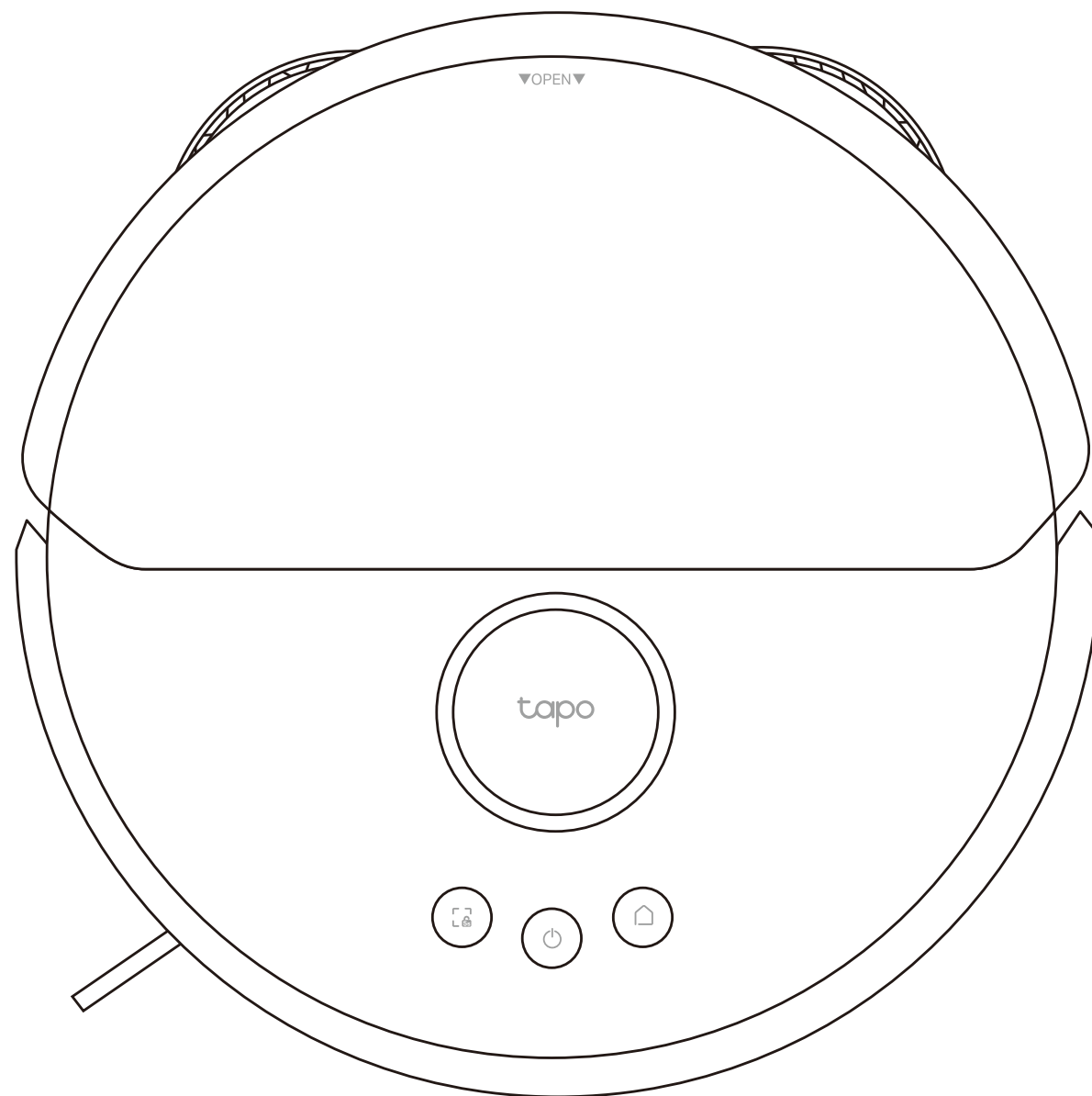


Others

- Wireless Connection:
802.11b/g/n, 2.4 GHz Wi-Fi; Bluetooth 4.2 (Only for setup)
- Rated Input Voltage: 100-120 VAC, 50/60 Hz (JP/US version), or 220-240 VAC, 50/60 Hz
- Max Charging Power Consumption: 20 W (20 V \Rightarrow 1 A)
- Max Working Power Consumption:
Robot Vacuum: 75 W
Auto-Empty Dock: 600 W
Air-Drying + Charging: 70 W
- Third-Party Compatibility: Amazon Alexa, Google Home, Matter

// Overview

Robot Vacuum



Power/Clean

- Press and hold for 3 seconds: Turn on/off the robot vacuum.
- Press once: Start/pause cleaning.



Dock

- Return to the dock to charge.
- Empty the dustbin when docked.



Spot Cleaning/Child Lock

- Press once: Start spot cleaning.
- Press and hold for 5 seconds: Turn on/off the child lock.



+ Combo Button

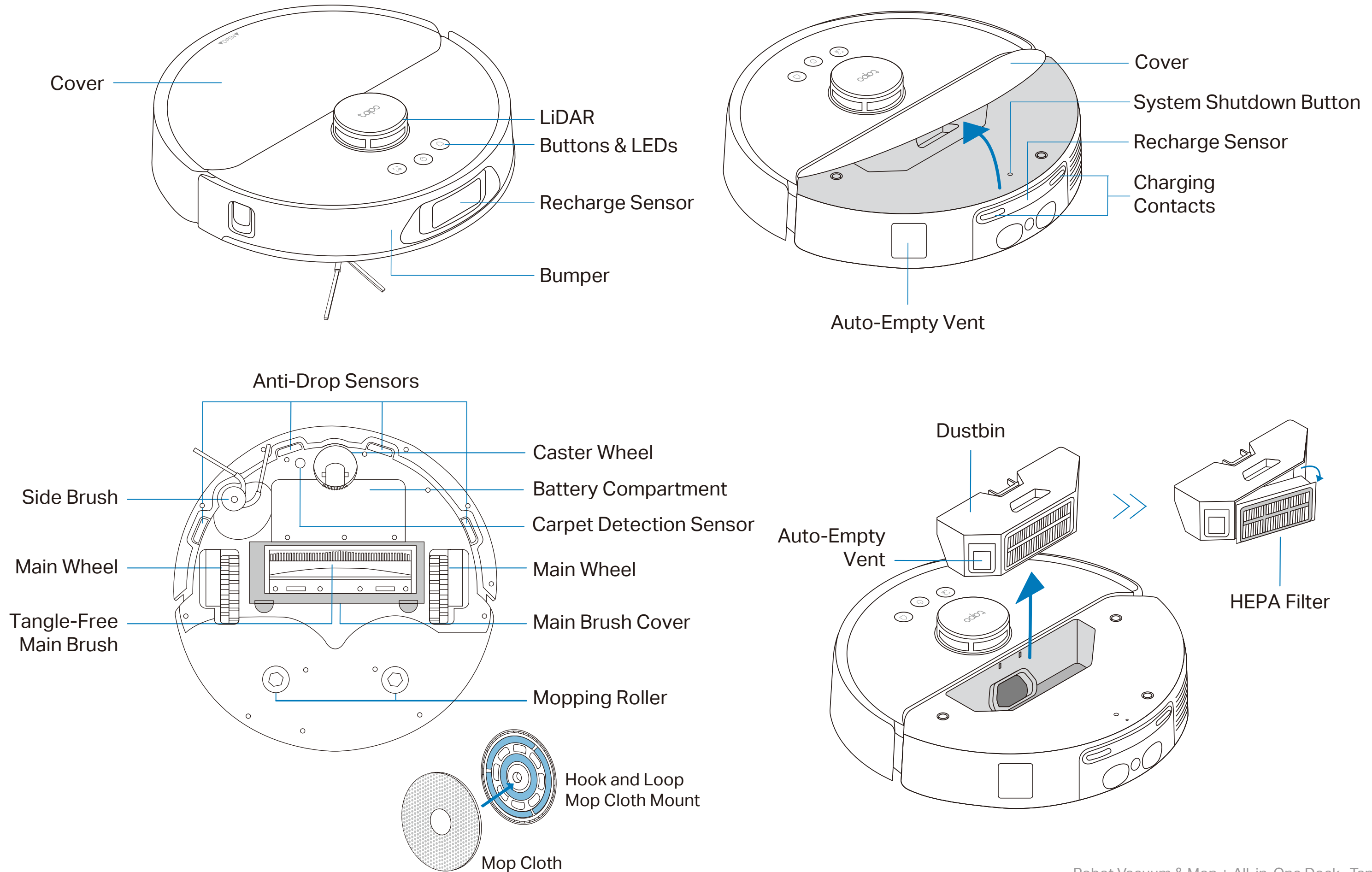
- Press and hold for 5 seconds:
Enter setup mode; reset Wi-Fi.
- Press and hold for 10 seconds:
Restore to factory default settings.



LED Status

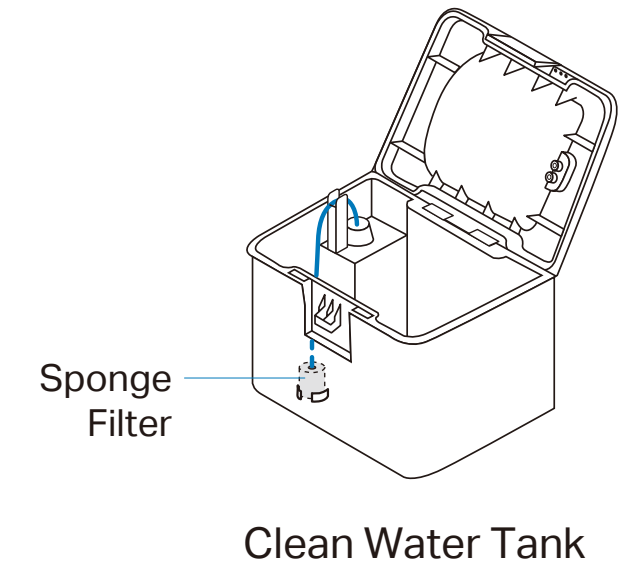
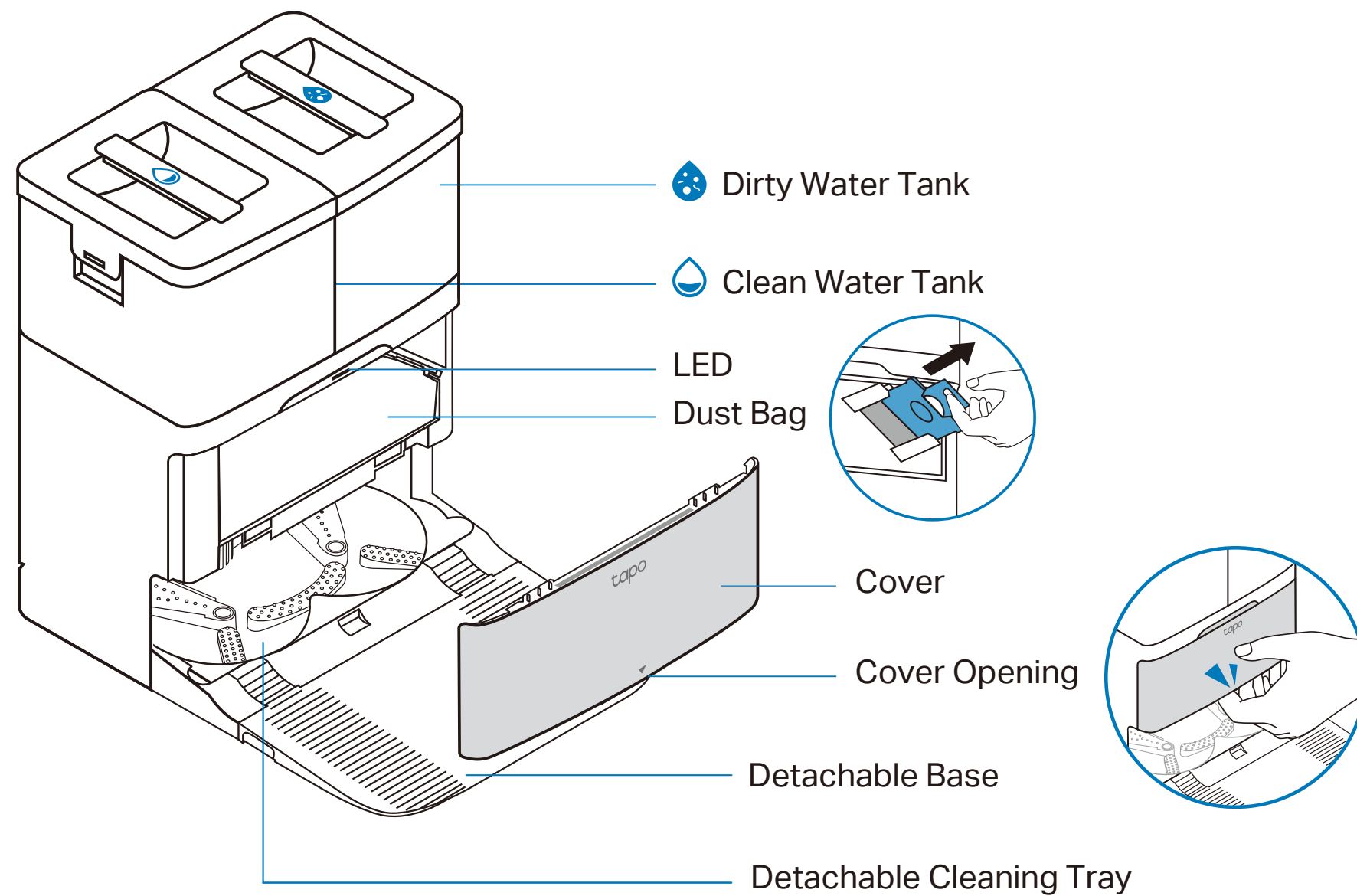
- Pulse/Flash Red: Battery level < 15%; Error
- Pulse Orange: Battery level between 15% and 80% (Charging)
- Pulse Green : Battery level > 80% (Charging); Turning on
- Solid Green: Fully charged

Overview



Overview

All-in-One Dock



LED Indicator

- **Off:** Powered off; charging; collecting dust
- **White:** Powered on but robot vacuum not on the dock
- **Blinking White 3 Times:** Charging starts; dust collection starts/ends
- **Red:** Low clean water level; dirty water tank full/missing; cleaning tray overflow